

# Versadry™ C-60 Waterproof Aluminum Decking System

Design Services    Installation Instructions    Care & Cleaning    Warranty Information

Versadeck products are available in a variety of variations to better fit both residential and commercial applications. Versadeck's customizability offers a greater flexibility in the creation of a design that is multifunctional, efficient and more cost effective specific to each application.

## Design Services

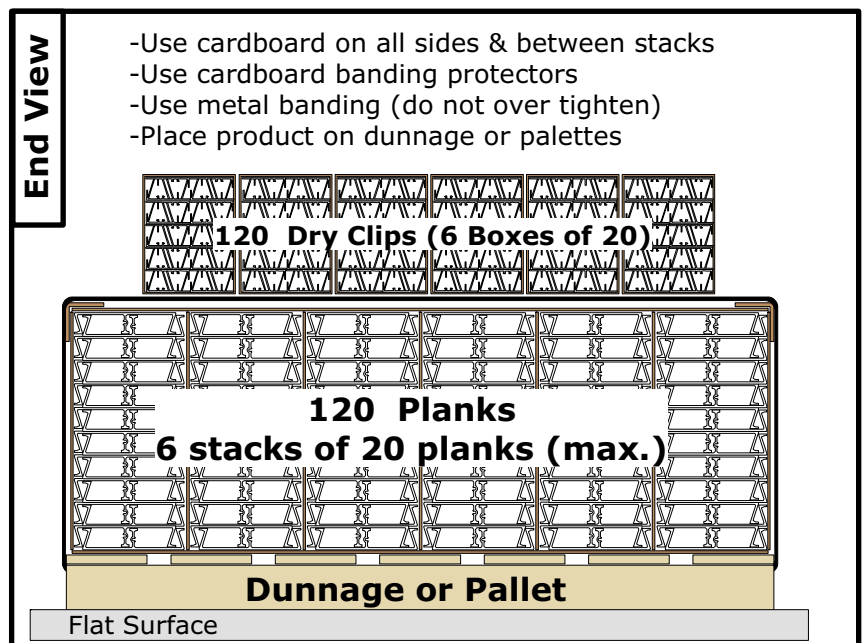
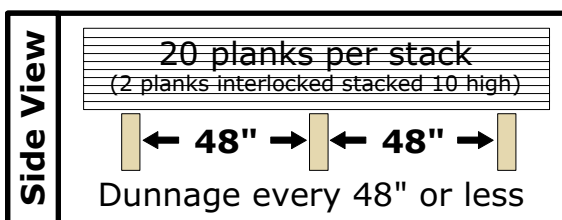
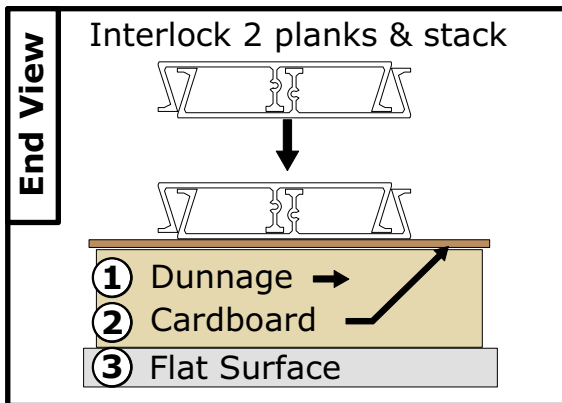
If you would like assistance in the designing of your deck and to generate a parts list, Consult with a Versadeck design specialist to learn about professional design services that are available or we can refer you to a dealer in your area that can better assist you.

## Handling

Always unload by hand and stack properly. A fork lift can be used as long as the product is properly supported with a pallet. A fork lift should only be used if it can gently and cleanly lift and set down the product without any horizontal sliding and scraping contact. If the product is damaged upon delivery, be sure a damage report is filled with the shipping company at the time of delivery and make sure to have the report in writing and signed before the delivery truck leaves the premises. Make sure to report any damage within 10 days of delivery of the product.

## Stacking and Storage

Always stack and store the product correctly. Stack and store Versadeck products on a flat surface covered with a non-translucent waterproof material. Refer to the illustrations below to properly stack the product.



## Versadry™ C-60 Waterproof Aluminum Decking System

### Safety First

Always wear proper clothing and use proper safety equipment recommended for building a deck. Always wear safety glasses especially when cutting Versadeck products. You can use the same saws and tools used to build a wood deck as long as the tools manufacturer's instructions are followed and specify safety precautions when cutting aluminum. Make sure you use a sharp fine tooth carbide tip saw blade or a metal cutting blade or what is required by the tools manufacturer.

### Other Precautions

Never use Versadry™ decking for any other use other than it's intended use which is a surface decking material to be applied to a properly constructed structure that will safely support it and meet applicable building requirements specific to your location and the application.

- Always use an approved protective barrier to protect Versadry™ aluminum decking from corrosive treated lumber products and any other potentially corrosive material.
- Never use Versadry™ decking as a structural beam, joist, stringer, supporting post or any other primary load-bearing member.
- Always consult local building codes prior to installation.
- Versadry is available in three slip resistant surface textures. Be sure to understand which texture is best fit for the intended use.

### Supporting Structure Requirements

Versadry™ aluminum decking is both lighter and stronger than most residential decking products. Because of this, it lends itself to more resurfacing applications without the need to strengthen the existing structure. Have your local building official or a structural engineer inspect the existing structure to calculate if the structure can safely support Versadry™ decking. Use the following information to aid in the assessment and the design of new structures.

### Supporting Structure Joist Spacing Requirements and Recommendations

Decking Direction to Supports	Joist Spacing to Support 60 lbs. per sq. ft.	
Laid Perpendicular to Joists	Max. of 48"	*Recommended 36" on-center
Angled 45 Degrees to Joists	Max. of 42"	*Recommended 30" on-center
Laid Perpendicular to Stair Stringers	Max. of 24"	*Recommended 24" on-center

\*We recommend that the structure is designed with joist spaces from 24" to 36" O-C. You can take advantage of the strength of Versadry™ decking but be aware that when installed with the supporting joists spaced at the maximums, Versadry will give resulting in a spring like feel.

## Versadry™ C-60 Waterproof Aluminum Decking System

### Unique Design Maximizes Strength And Versatility

Versadry aluminum decking is a unique two piece system consisting of the C-60 plank combined with the dry clip extrusion.

### Create A Dry Space Below Without The Puddles Above

Versadry waterproof aluminum decking allows water to run into channels allowing the deck surface to drain and dry quickly. The water then flows through these channels and off the deck eliminating the large puddling effect that commonly occurs with other systems.

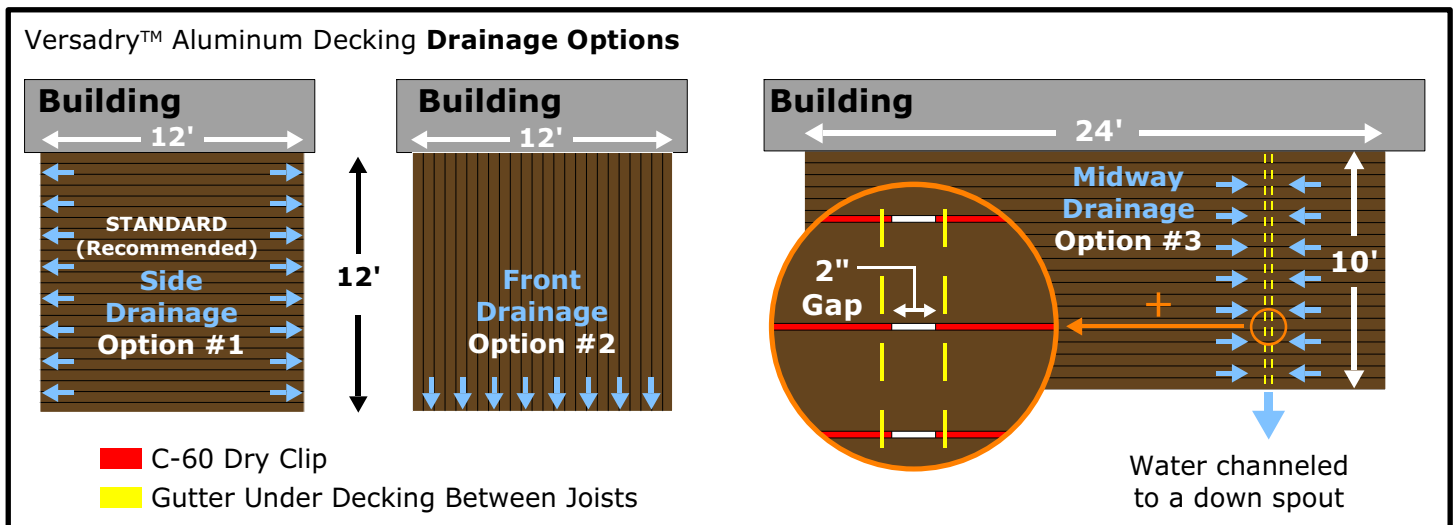
### Water Flow And Drainage Control

The Versadry two piece system creates drainage and water flow options. Water can be directed to flow to the end of the deck or into gutters that can be located anywhere midway throughout the deck area. The midway gutter can be installed anywhere between two joists by simply stopping and starting the Dry Clip channel leaving a two inch gap for the water to drop through. The water can then drop into a gutter installed to the bottom of the decking parallel between the joists. Omit the Dry Clip altogether in areas where the deck does not need to be waterproof. These options can all be performed without splicing the planks. The result is a continuous constant look from above and a dry space below with the water draining to a specific location.

**Drainage Option #1 (STANDARD WATERPROOF):** Build the supporting structure with a side slope of at least 1" every 10' in the direction you want the water to drain. Follow plank attachment details.

**Drainage Option #2:** Build the supporting structure with a front slope of at least 1" every 10' in the direction away from the building. Follow standard plank attachment details with an exception to the wall attachment detail which will have to be determined depending the particular application.

**Drainage Option #3:** Build the supporting structure with a slope of at least 1" every 10' in the direction you want the water to drain. You can add midway drainage located anywhere between two joists by leaving a 2" gap in the dry clip channels. Use this option for additional drainage or to divert water to a direction opposite the dry clip channels.



## Versadry™ C-60 Waterproof Aluminum Decking System

### Waterproof Attachment To House

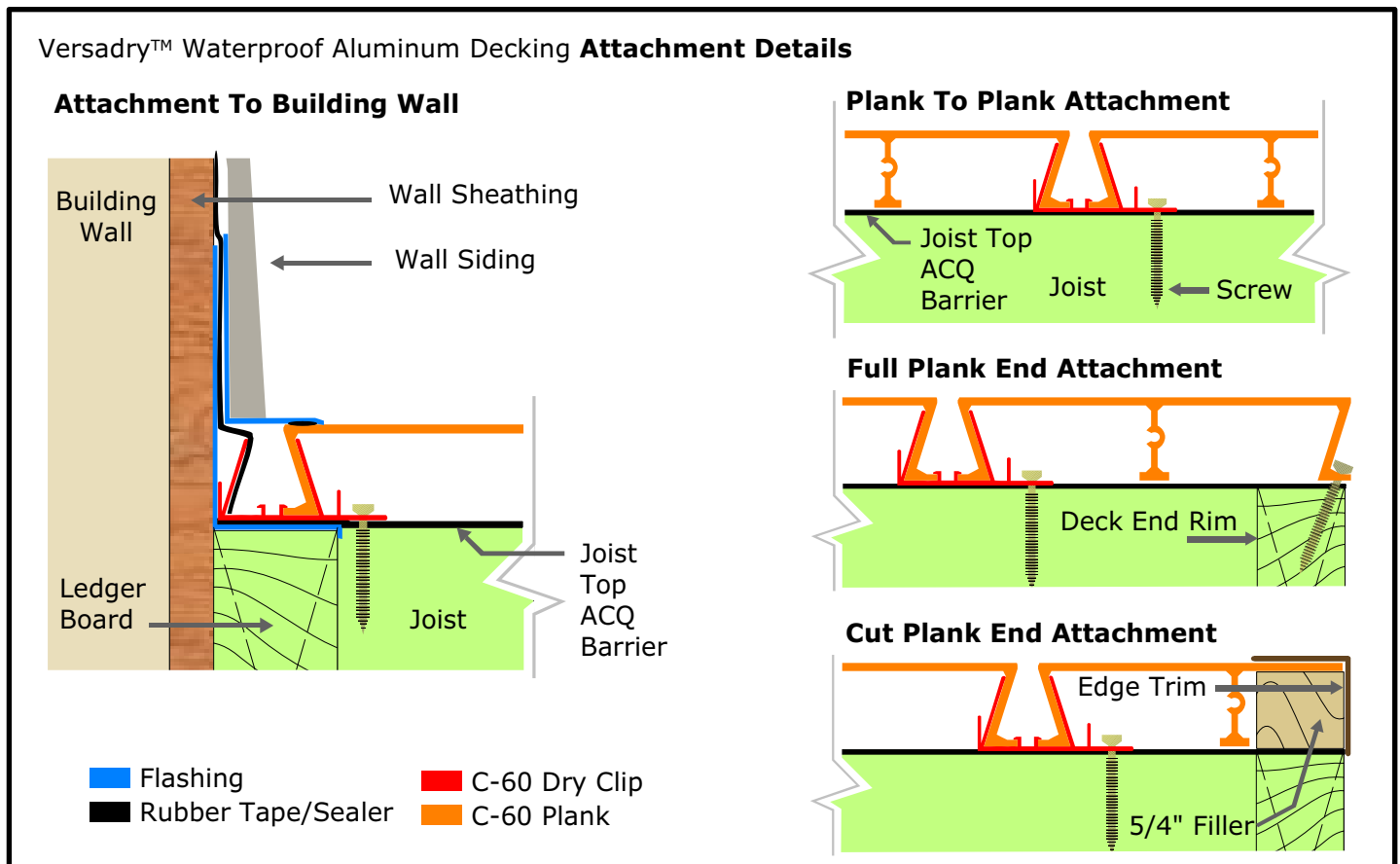
The Versadry Dry Clip Channel acts as a back up gutter if water manages to get past the seal between the flashing and the decking top. Make sure to follow the diagram below and use a high grade caulking sealer, flashing and self adhering quick seam rubber tape flashing.

### Plank To Plank Attachment

The Versadry Dry Clip Extrusion creates a seal and fastens the decking to the structure. The first plank to be installed should be the one that connects to the house. A dry clip is installed up against the building wall and then another is installed on the first plank leg opposite the wall. The plank is then set in place and fastened to the structure. A dry clip is then connected to the second plank and then set and hooked into the first plank dry clip. Repeat throughout the deck all the way up to the last plank to be installed.

### Finish Plank Attachment

The final plank to be installed may fit perfectly without it needing to be rip cut to fit. In this case a finish nail or a screw can be installed through the outer plank leg into the structure. If the last plank needs to be rip cut; install a 5/4" thick filler block and cap the end off with the angle trim for a finished look.



### Fastening

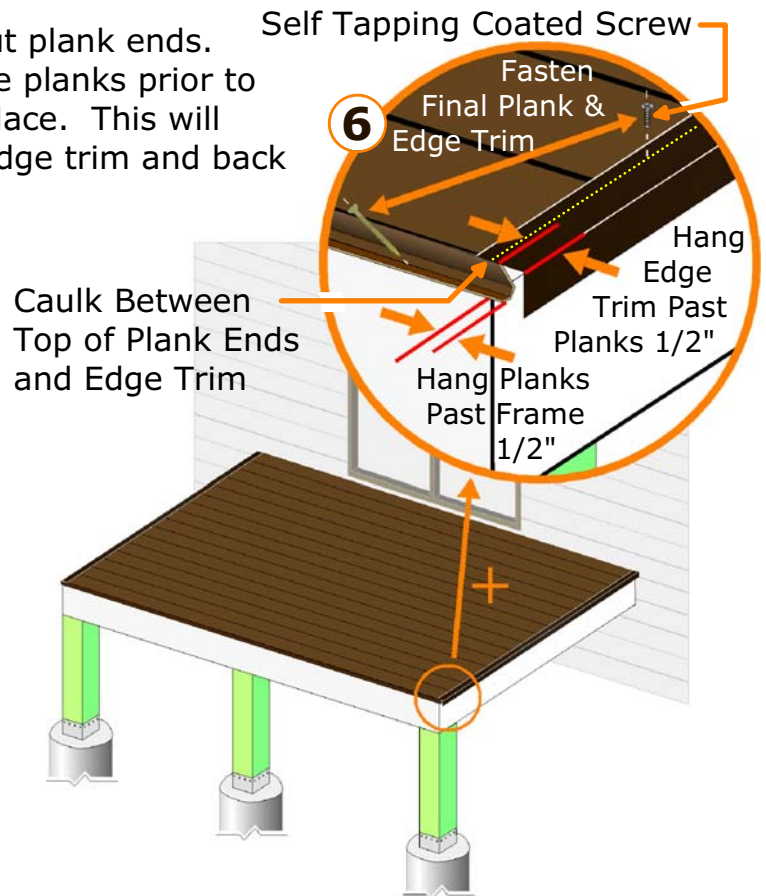
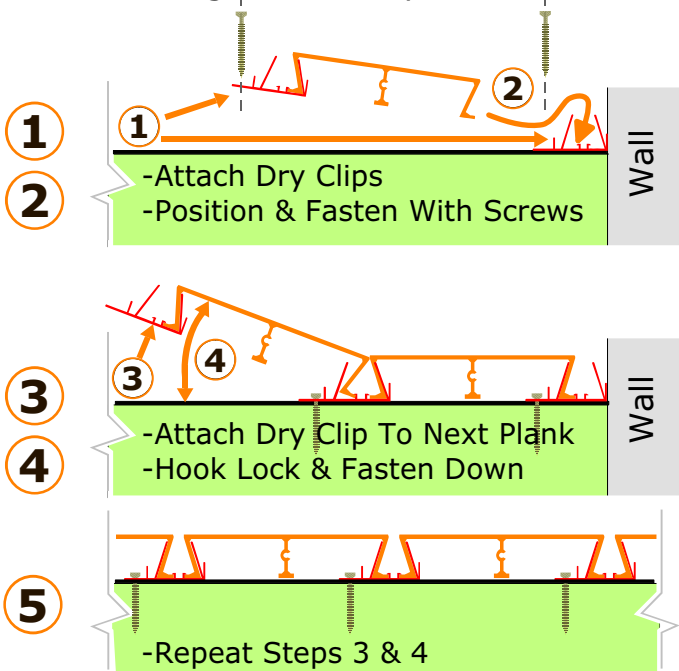
Use #8 x 1 1/2" or longer high quality coated deck screws. Do not use stainless steel screws. Pre-drill 3/16" holes in the Dry Clip mounting flange area (see diagram above) where the screws will line up with the joists and fasten to the supporting structure. Install one screw where the Dry Clip channels overlap the supporting structure. Tighten screws so the Dry Clip channel is snug to the structure. Do not over tighten the screws to the point where the Dry Clip becomes bent from the force of the screw. Bending of the Dry Clip could make installation difficult and could compromise the waterproof seals.

# Versadry™ C-60 Waterproof Aluminum Decking System

## Installation

Cut planks and Dry Clip Channels to equal length. Cut them long enough to hang 1/2" past the supporting structure on the side or sides of the supporting structure where you want the water to drain off. The edge trim must be held past the planks another 1/2" in these areas as to allow water to flow through and drain out.

- 1 Start by installing the first plank up against the building wall. Attach one dry clip channel to the frame up against the wall. Pre-drill the dry clip in the correct locations and then fasten it in place. Then attach another dry clip to the other plank leg. The dry clip should easily hook in to place. Double check and make sure the dry clip is consistently hooked and locked to the plank leg.
- 2 Hook and lock the first plank into the dry clip that is fastened up against the building wall, Pre-drill the dry clip in the correct locations and then fasten it in
- 3 Attach a dry clip to the second plank on the plank leg opposite the wall.
- 4 Hook and lock the second plank into the previously fastened dry clip that is attached to the first plank. Make sure it is properly hooked into place and then fasten it down to the supporting structure.
- 5 Repeat steps 3 & 4 until all the decking is in place. See plank attachment diagrams for more details.
- 6 Install decking edge trim to cover the cut plank ends. Run a bead of sealer along the top of the planks prior to placing and fastening the edge trim in place. This will prevent water from seeping under the edge trim and back tracking under the plank bottoms.



## Versadry™ C-60 Waterproof Aluminum Decking System

### Common Questions

**Is Versadry™ Aluminum Decking Maintenance Free?** Versadry™ Aluminum decking is a virtually maintenance free material that will provide years of like new performance with minimal upkeep. There are no applicants needed to preserve color or prevent deterioration from the elements. Any surface over a period of time will collect dirt or other debris. Wash your deck with a mild household soap twice per year to help prevent the build up of mold, mildew and other stains that may be difficult to remove if left over a long period of time. (do not use bleach or deck wash products).

**Could the Polyurea Coating Peel Off the Aluminum?** The aluminum is coated with a special primer prior to coating. This bonds the coating to the aluminum. Under normal wear and tear, it is warranted that the Polyurea coating will not peel unless it is intentionally peeled off.

**Could the Coating Wear Down to the Aluminum?** It is warranted that under normal conditions, the coating (standard thickness) will not wear down to the aluminum for 25 years (thicker coating is warranted for 40 years).

**Does Versadry™ Decking Get Hot in the Sun?** The coating reflects much of the UV energy. Aluminum transfers heat quickly so there is a minimal build up of temperature. Even on the hottest days Versadry™ aluminum decking stays uncommonly cool in comparison to wood, composite and powder coated aluminum decking products. If the bottom side is covered minimizing air flow, the decking may not stay as cool.

**Is Versadry™ slippery when wet?** The standard texture provides a slip resistant surface. There are two additional slip resistant textures to choose from for added traction. If the decking is wet or icy, take extra care as under these conditions the deck **may not be as slip resistant.**

### Care & Cleaning

**Ground in Dirt:** Use a mild soap to remove the dirt. Do not use aggressive cleaners or products containing sodium hypochlorite.

**Oil and Grease Stains:** Remove oil and grease stains with a mild household soap agent as soon as the stain occurs. Do not use aggressive cleaners or products containing sodium hypochlorite.

**Mold Stains:** Mold: may form (on any surface) where moisture is prevalent and/or there is heavy shading and pollen/debris that are allowed to collect on the deck. Use a mild household soap, do not use aggressive cleaners or products containing sodium hypochlorite. Periodic cleaning of your deck, even if it appears clean, is important to prevent the build up of pollen/debris that can cause mold. Wash your deck using this method at least twice per year.

## **Versadry™ C-60 Waterproof Aluminum Decking System**

**Ice and Snow:** Rock salt, available in many home centers, will melt ice on Versadry Decking. Rinse of your deck when first practical to help avoid surface stains.

**Other Stains:** TREE SAP, ASPHALT DRIVEWAY SEALER, SHOE POLISH, PAINT, VARNISH, CRAYON, LIPSTICK, JUICE/WINE, MUSTARD, PERMANENT MARKER, PEN INK, BLACK HEAL MARKS: Rub the stain with Mineral Spirits or Turpentine using a clean white cloth as soon as stain occurs and then immediately chase wash the area with a mild soap & water solution. If the stain still shows, contact us for instructions.

**Deep Scratches/Gouges:** If the Polyurea coating is gouged to bare aluminum, contact us. The coating can be patched.

**Compression Marks:** The Polyurea coating is thick to provide comfort and durability. Leaving heavy objects with pointed legs or sharp edges in contact with the coating could leave compression marks. Once the object is removed, the marks will usually come out on their own depending on the severity of the compression marks. Avoid leaving these types of objects unmoved over long periods of time.

**Color Drifting:** The Polyurea formula contains UV (ultraviolet) ray blockers. It is warranted that the color will maintain a desirable even tone throughout the lifetime of the product. Avoid leaving objects (welcome mats, storage containers, flower pots, etc.) unmoved for long periods of time. After about 3 to 8 weeks of exposure to the sun, the shine will dull out to a more natural desirable look. Ask for a color sample to understand the changes that will occur as the product ages. As with all materials when exposed to UV rays, the color may drift from it's original color shade.

**Versadry™ C-60 Waterproof Aluminum Decking System**

## **Limited 25 or 40 Year Warranty**

Versadry™ Polyurea Coated Aluminum Decking provides a 25 year (standard coating) or a 40 year (thicker coating ) of comprehensive coverage when used on a commercial structure under normal everyday conditions and when installed properly will not...

- Leak with standard side drainage design
  - Fail structurally as engineered
  - Rot, decay or be damaged by insects
  - Warp, cup, sag, dent or splinter
- Wear down to the aluminum or peel off
- Corrode resulting in fatigue or an undesirable appearance

### **\*15 Year Color Guarantee**

Versadeck Decking, Inc. hereafter "Warrantor" warrants that Versadry Polyurea waterproof coated aluminum decking hereafter "Versadry": when purchased from an authorized Dealer, used in conjunction with a commercial structure and installed, maintained and cared for properly, under normal conditions, will not rust, splinter, warp, cup, sag, shrink, rot, wear down to the aluminum, peel apart or suffer structural damage due to termites, fungal decay or leak when installed with standard side slope design, for

A) Standard coating option: 25 years Non Transferable

B) Thicker coating option: 40 years Non Transferable

In addition, Versadry will maintain a desirable aged weathered look for a period of 15 years (standard colors only) from the date of the original purchase.

**Versadry™ C-60 Waterproof Aluminum Decking System****Limited 25 or 40 Year Warranty**

This warranty does not cover damage of any kind resulting from faulty installation, misuse, fire, negligent maintenance or acts of god. Warrantor does not warrant that and Purchaser is solely responsible for determining whether Versadry meets the requirements of any applicable safety code or similar regulation. Warrantor shall be the sole judge of whether or not Versadry is defective and whether the defect, if any, is due to manufacturing defects in materials or workmanship. Warrantor shall be the sole judge of whether or not Versadry can be reasonably repaired (applicants may be supplied that coat the surface to restore color and further protect) without replacement. Warrantor shall not be liable for installation or reinstallation costs or for any indirect, punitive, exemplary or consequential damages of any kind whatsoever. Purchaser's sole remedy for any claim whatsoever, whether in contract, warranty, tort or strict liability, arising out of the use, storage or possession of Versadry, including without limitation any claim that Versadry failed to perform as warranted above, at warrantors option shall be repaired, or replaced with new Versadry. To obtain replacement, the original owner must send this warranty certificate, along with the original purchase invoice indicating the date of purchase from an authorized Dealer showing that sufficient Versadry has been purchased to cover the quantity claimed to be damaged, to the warrantor to: Versadeck Decking, Inc.

No person or entity is authorized by Warrantor to make and warrantor shall not be bound by any statement or representation as to the quality or performance of Versadry other than as contained in this warranty. There are no oral promises or representations collateral to or affecting this warranty and it may not be altered in a written instrument signed by Warrantor and Buyer. Some states do not allow limitation on how long any implied warranty lasts and/or the exclusion or limitation of incidental or consequential damages, so the above limitation or exclusion may not apply to you. This warranty gives you specific legal rights and you may also have other rights which vary from state to state. This warranty is exclusive and in lieu of any and all other warranties with respect to Versadry and there are no other warranties whether expressed or implied, including without limitation, any implied warranty of merchantability or fitness for a particular purpose.